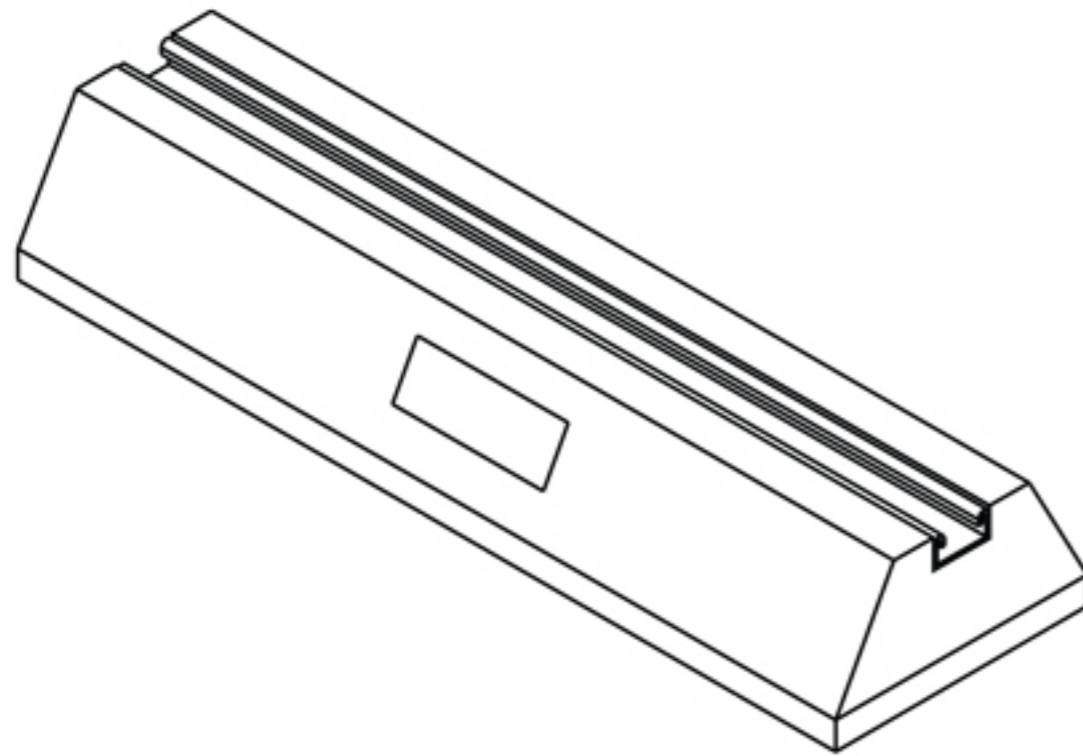




everyday

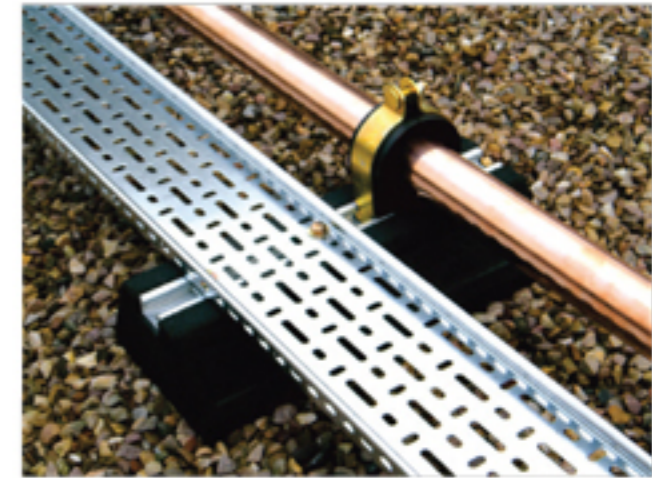
# Flexi Everyday - Flexi Foot

Supporting electrical containment, small F&R pipework and single fan a/c units



### Features & Benefits

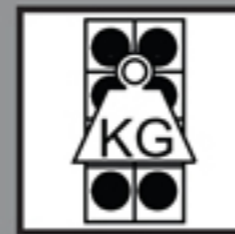
- Available in four sizes
- Non-penetrative support
- Flexible design to accommodate late design changes
- Fast and simple installation
- Supplied with integrated 21 x 41 mm steel strut, fully bonded to the foot, stronger than some aluminium alternatives
- Drainage slots to underside
- Full AutoCAD drawing support
- Load management and wind calculations available
- Full on-site support and surveying services



Pump House  
 Glaisdale Drive East  
 Nottingham  
 NG8 4LY  
 Tel: +44(0)115 900 5858  
[www.flexisupportsystems.co.uk](http://www.flexisupportsystems.co.uk)  
[sales@flexisupportsystems.co.uk](mailto:sales@flexisupportsystems.co.uk)



light



heavy



solar



access





# Flexi Foot

The Flexi Foot with Strut come in four sizes, 250mm, 400mm, 600mm and 1000mm, also available is a low profile option. They are manufactured from heavy duty recycled rubber and are supplied with an integral 21mm x 41mm galvanised steel strut adhered to the rubber with industrial strength adhesive. The dense nature of these products make them suitable for various building services supports and are manufactured with drainage slots to the underside for rainwater run off.

## Typical Installation

Part Code FF-400-S



Part Code: FF-250-S



Code	Description	Length mm	Width mm	Height mm	Safe Working Load*	Weight
FF-250-S	Flexi Foot With Strut – 250mm	250	185	100	175kg	2.8kg
FF-400-S	Flexi Foot With Strut – 400mm	400	185	100	280kg	4.6kg
FF-600-S	Flexi Foot With Strut – 600mm	600	185	100	420kg	7.6kg
FF-1000-S	Flexi Foot With Strut – 1000mm	1000	185	100	700kg	12.0kg

Code	Description	Length mm	Width mm	Height mm	Safe Working Load*	Weight
FF-250-S-P-L	Flexi Foot With Strut – 250mm – Low Profile	250	185	50	100kg	1.4kg
FF-400-S-P-L	Flexi Foot With Strut – 400mm – Low Profile	400	185	50	150kg	2.3kg



## Specification Extract

External F&R pipes / cable tray / ac split unit will be supported on the Pump House Flexi Foot with Strut. Contact Telephone: +44(0)115 900 5858.

## Application

Suitable for supporting everyday installation of small F&R pipework, lightweight cable basket and cable tray at low level.

Alternatively the installer can build up additional strut for elevated services subject to stability considerations. Flexi Foot with Strut are also suitable to support lighter a/c split condensers and air source heat pumps in wind protected environments.

## Material Specification

- Foot - SBR recycled rubber BS 7188:1989+ A2:2009 and BS EN 1176-7:2008 UV stabilised
- Strut - 41x41x2.5 steel strut galvanised steelwork. BS EN 10219-1:2006
- Finish - Galvanising: BS EN ISO 1461:2009
- Robust high quality materials used
- Channel is compatible with industry standard fixings and fixtures
- Suitable for internal / external environments in temperatures between -40° to +80°C BS EN IEC 60068-2-52:2018

## Our Service Offers You:

- Quotation on request
- Full AutoCAD drawings support
- Site support and site surveys
- Load management calculations
- Over 20 years experience in flat roof design and providing support systems to building services
- Fast delivery
- Experienced in-house technical staff